

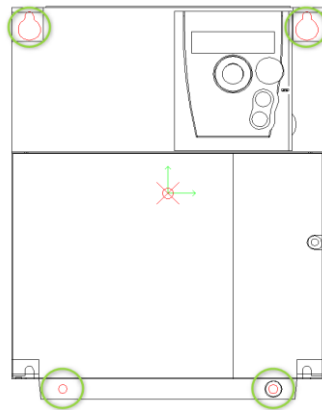
elecworks™ Tips & Tricks

Panel Layout Drill Cut-out Drawings

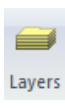
A panel layout drill cut-out drawing shows where the drill holes are for a backplate or an enclosure. The drawing can be the same drawing as the normal layout drawing with different information either turned on or off.

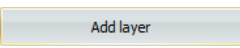
Each component footprint that requires drill hole information should have their drill holes drawn utilising the same layer information as all other components.

In the following example, the drill holes were defined on a layer called DRILL to make the layer name easily identifiable.

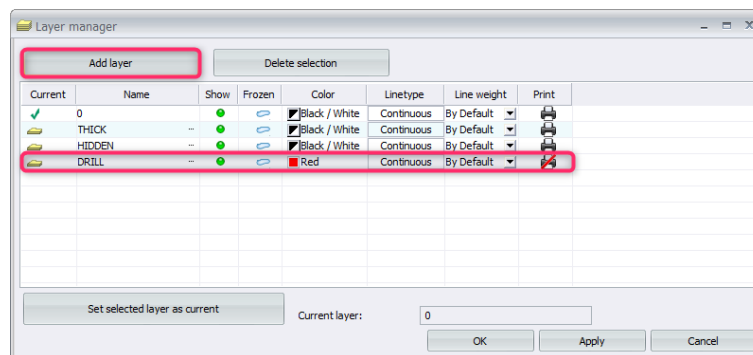


To create a new layer:

Select *Modify* ribbon tab > *Changes panel* >  Layers

Select 






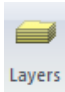
Change the layer name to DRILL

Select

Select

 the drawing

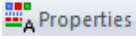
In the panel layout when inserting items, you can define the layer that the item is placed on:

Select *Modify* ribbon tab > *Changes* panel > 

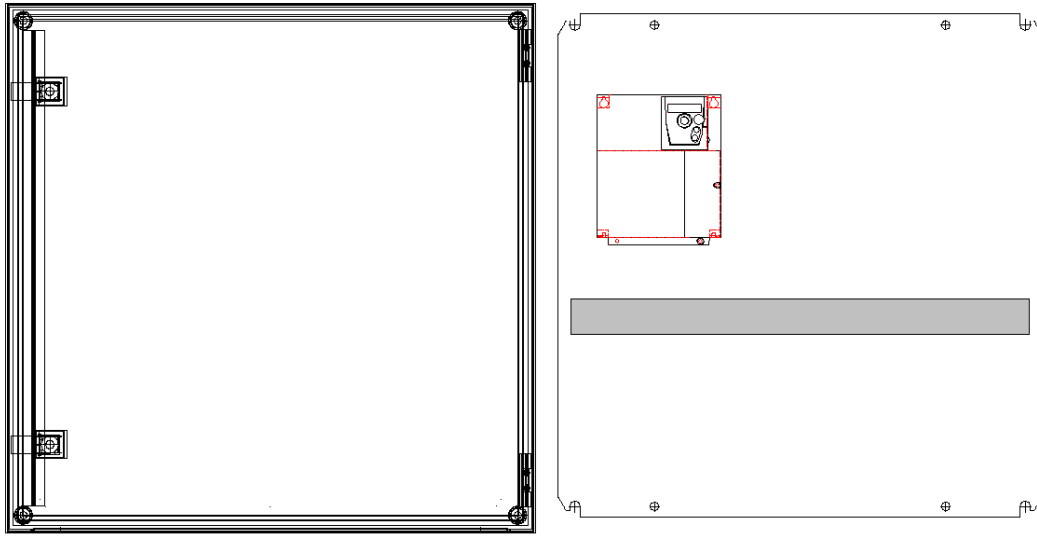
Highlight the layer you want

Select

As a default, component footprints will be inserted on layer 0. Layer properties can always be changed afterwards

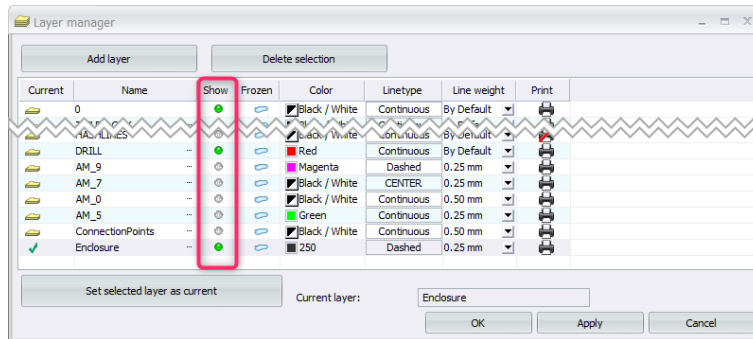
Select *Modify* ribbon tab > *Edit* panel >  Properties

Example drawing:

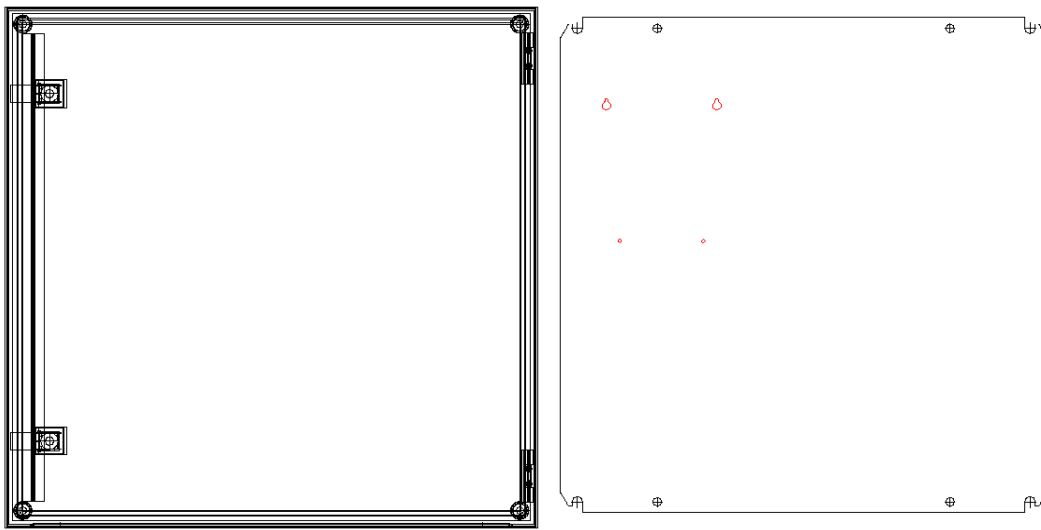


Select *Modify* ribbon tab > *Changes* panel >


Example layer definition

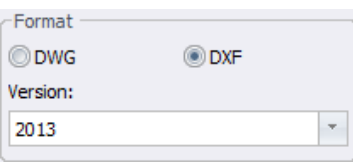


Example Drill Cut-out drawing:



You can export the drawing as a DXF (commonly used for drilling/cutting/nibbling machines)

Select *Import/Export* ribbon tab > *Export* panel > 

Select 

The dialog box shows the following options:

- Format: DWG DXF
- Version: 2013