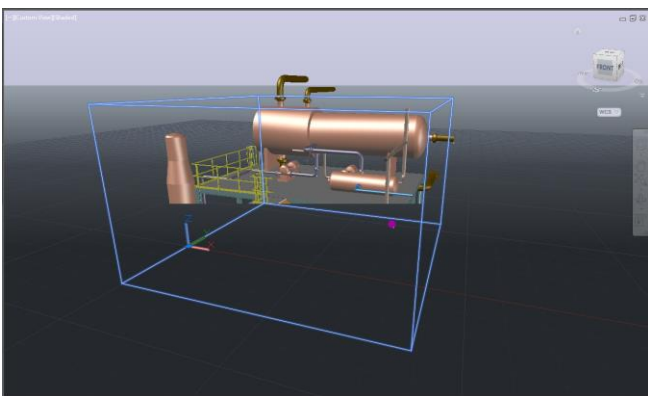


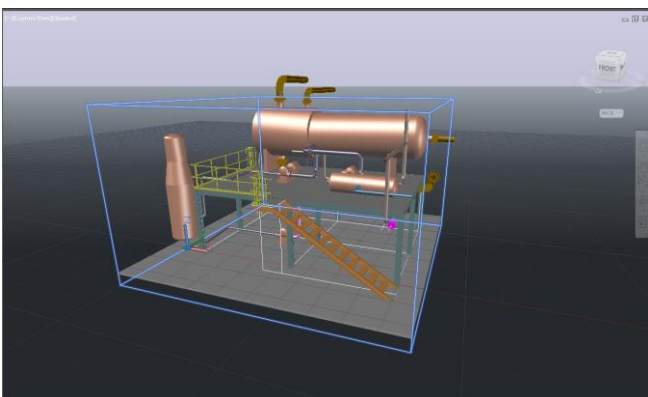
# Clipped Coordination Model during Navigation?

## AutoCAD Plant 3D 2016 and Navisworks 2016

If you have been [Using Coordination Models in AutoCAD Plant 3D](#), you may have experienced clipping of the coordination model as you pan and zoom within your AutoCAD Plant 3D model.



This occurs if your current Visual Style has Edge Settings set to None. The solution is to set the Edge Settings Show option to Facet Edges or Isolines within the Visual Style.



Autodesk have acknowledged this issue and provided this [solution](#).

