

AutoCAD & AutoCAD LT 2014: Using Drawing Aids

Drawing with Polar Tracking

Introduction

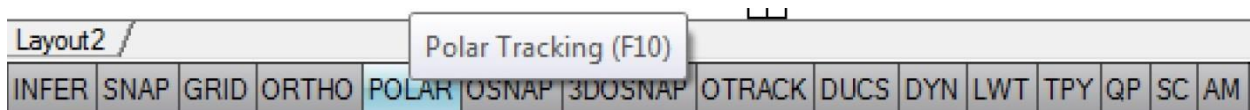
There are several drafting aids in AutoCAD to help us to draw accurately. Hover your cursor over the icons on the Status Bar to see the available drafting tools.

Fig 1: Status Bar - Icons



Right click on any one of the icons and left click on Use Icons to change the Status Bar to text mode.

Fig 2: Status Bar - Text



You can see that Polar Tracking is the only active drawing aid as all the others are greyed out. Polar tracking can be toggled on and off by either left clicking on it or pressing F10 on the keyboard. Press F8 to toggle Ortho on and notice what happens to Polar.

Ortho and Polar Tracking

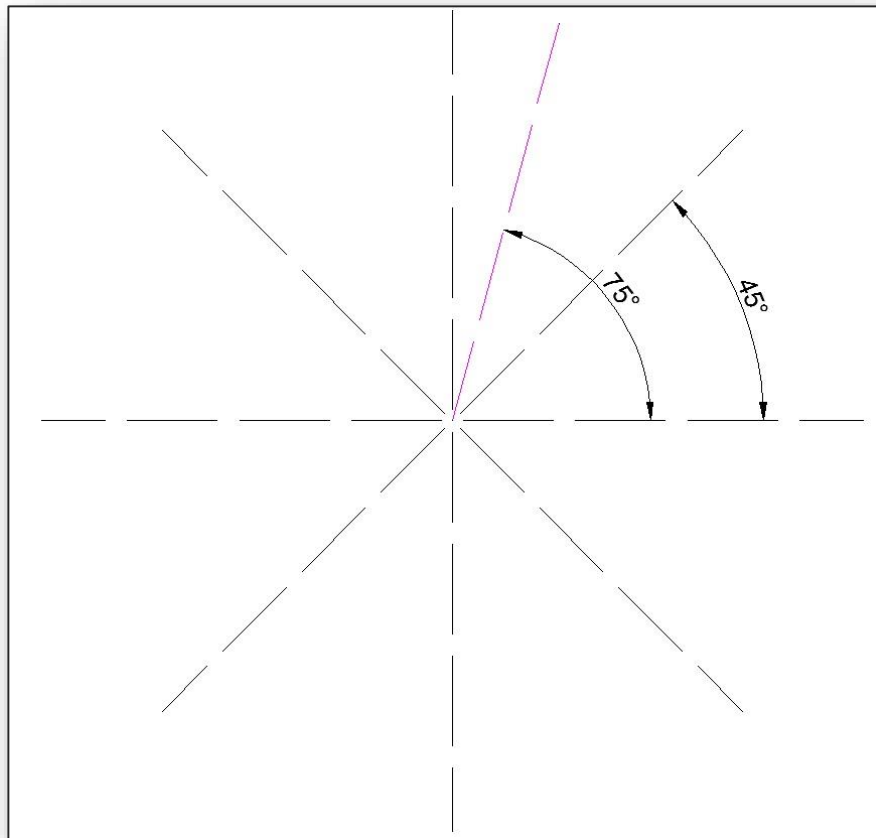
Ortho mode aids in drawing *orthogonal* (horizontal or vertical) lines. Polar Tracking is more flexible than Ortho mode, with the ability to constrain lines to increments of a set angle. A list of common angles is included on polar tracking toggle's context menu, such as 45, 30, 22.5, 10 degrees and so on.

Note: When Polar Tracking is set to 90 degrees, it functions identically to Ortho mode.

Polar Tracking: Changing Polar Tracking Settings

Set polar tracking at multiples of 45 degrees plus a single tracking angle of 75 degrees.

Fig 3: Polar Tracking Alignment Paths

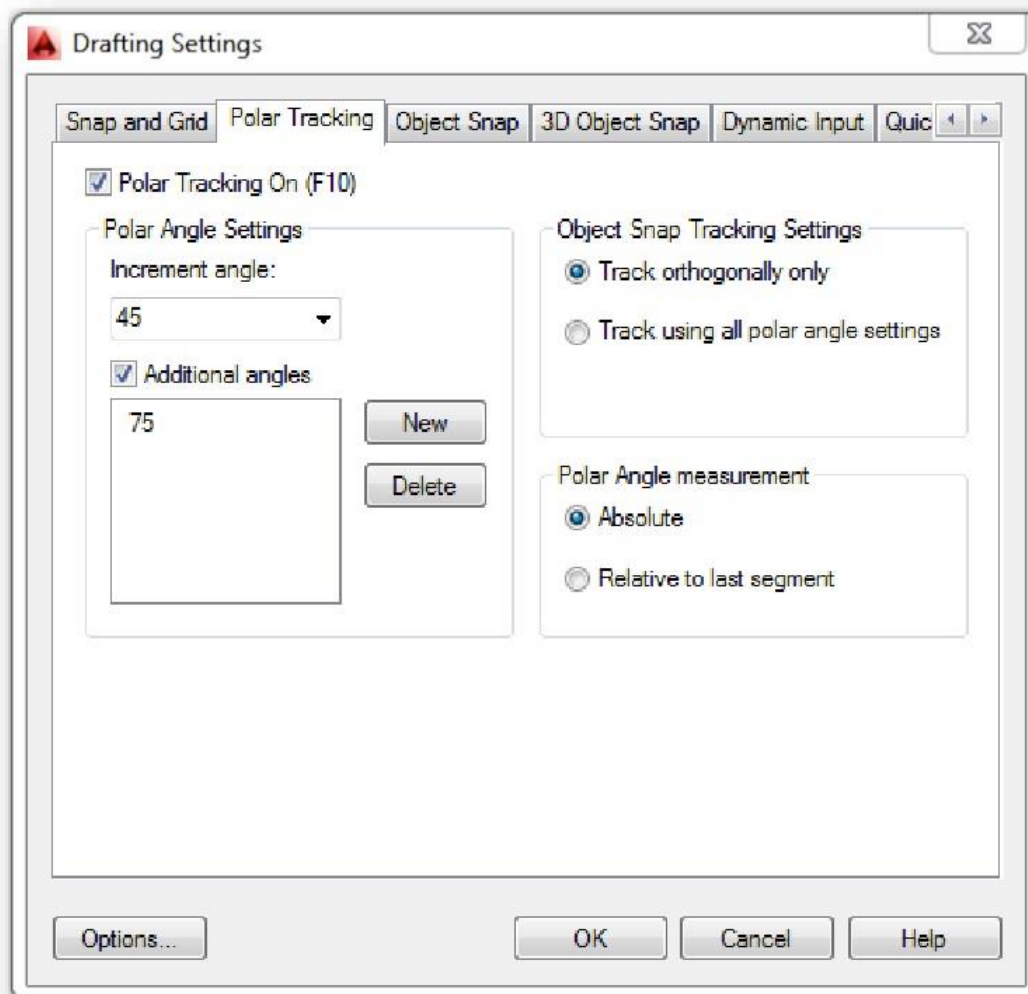


Alignment Path – A temporary dotted line along which the cursor can track

Changing Polar Tracking Settings (cont'd)

1. On the status bar, right-click Polar, and click settings.

Fig 3: Final Settings



2. On the Polar Tracking tab, in the drafting settings dialogue box, click Polar tracking On.
3. Under Increment Angle, select an increment angle of 45 degrees
4. Create the additional 75-degree angle:
 - Click New
 - In the Additional Angles box, type 75, and press enter.

Note: Just one alignment path displays for each additional angle.

5. Under Polar Angle Measurement, select a measurement method:
 - Absolute – Bases polar tracking on the current UCS.

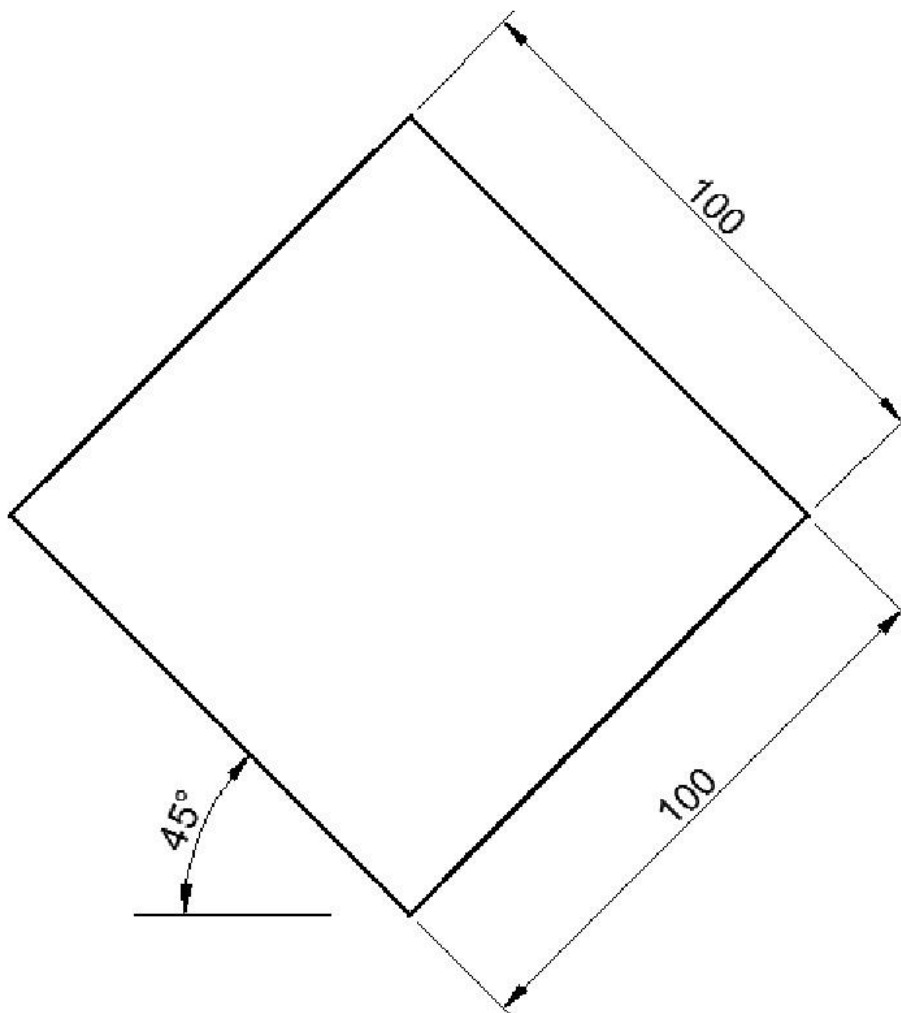
Or

- Relative – Bases polar tracking angles on the last object drawn.

6. Click OK.

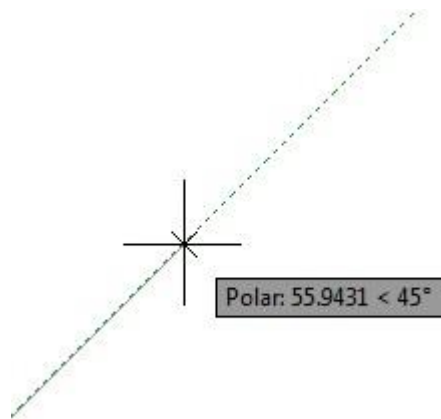
Using Polar Tracking to Draw Objects

Use Polar Tracking to draw a square.

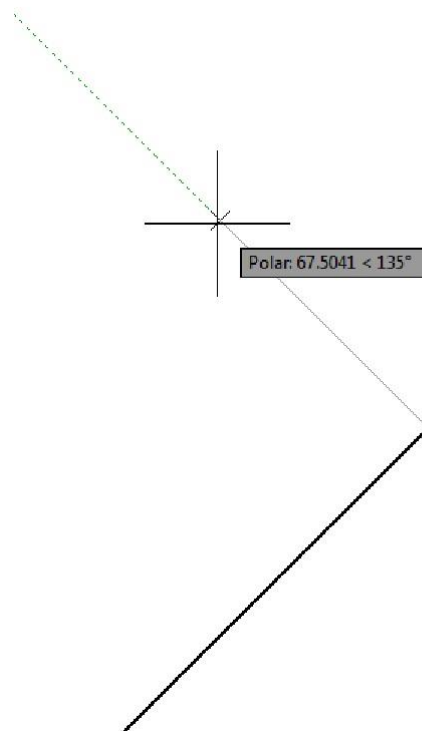


Using Polar Tracking to Draw Objects

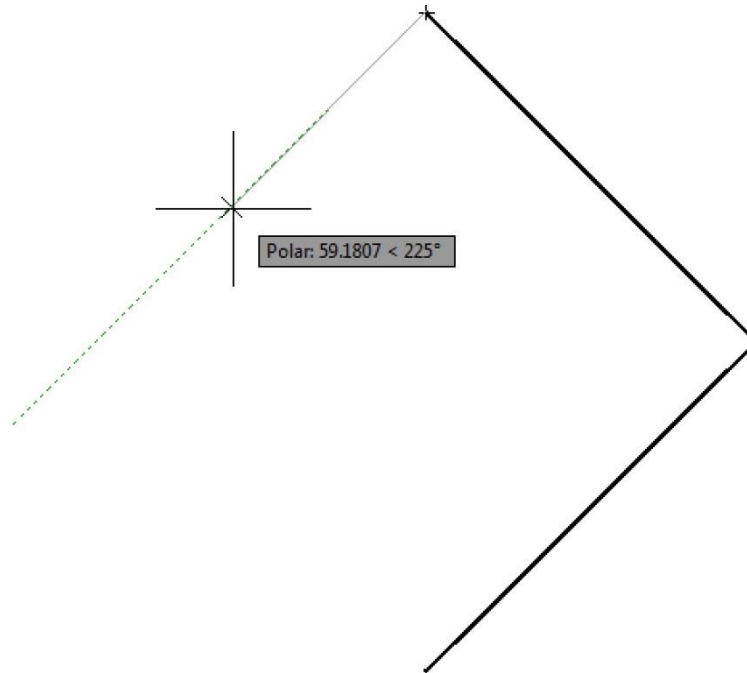
1. Set up a 45-degree increment angle (see above).
2. If Polar tracking is off, click Polar on the status or press F10.
3. On the Draw toolbar, click Polyline.
4. Click anywhere in the drawing to specify the lower vertex.
5. Move the cursor towards the middle-right point until the alignment path appears.



6. On the command line, type 100, then press ENTER.
7. Move the cursor towards the next point until the alignment path appears.



8. On the command line, type 100, than press ENTER.
9. Move the cursor towards the next point until the alignment path appears, type 100, then press ENTER.



10. Type c and then press ENTER to close the shape.

Conclusion:

Experiment with Polar Tracking. Draw some shapes incorporating the 75 degree angle that you created earlier.

For more Blogs, White Papers and FAQs, visit the **Cadline Community**:
www.cadlinecommunity.co.uk (it's free).

Date: April 2014

