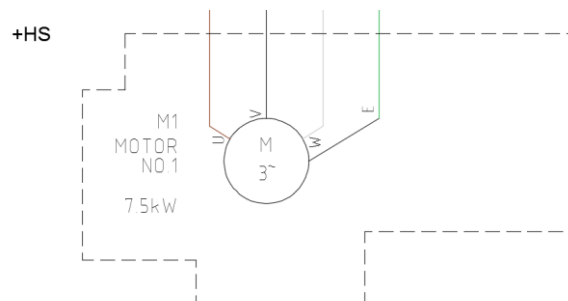


Intelligent Location Boxes

AutoCAD Electrical

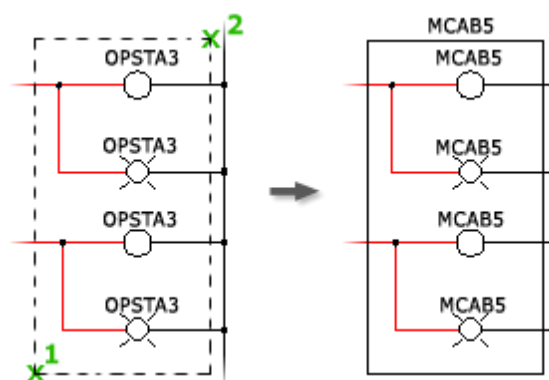
Did you know that a location box is intelligent which therefore means that components are “location box aware”?

In addition location boxes do not have to be rectangles and can be any orthogonal shape!



A location box is drawn around devices to designate that they are physically in a different location/installation than other devices in the same drawing. The box is a closed polyline and can also be a rectangle or some *other orthogonal* shape.

You have the option to update the location and installation codes for the parent components within the box to match the location box. You can assign a description to the box.



The Location and installation codes for the parent components within the location box update to match the location box. You can assign a description to the box. The program prompts for updates to related components and panel footprints.

AutoCAD Electrical commands are location box aware:

- Inserting or moving a component into a location box updates the location and installation values of the component.
- Moving a component out of a location box prompts the option to update the location and installation values of the component to match the drawing values.
- The insertion point of a component determines whether it is considered inside or outside a location box.

