

Creating Side Cheeks on a Dormer in Revit Architecture

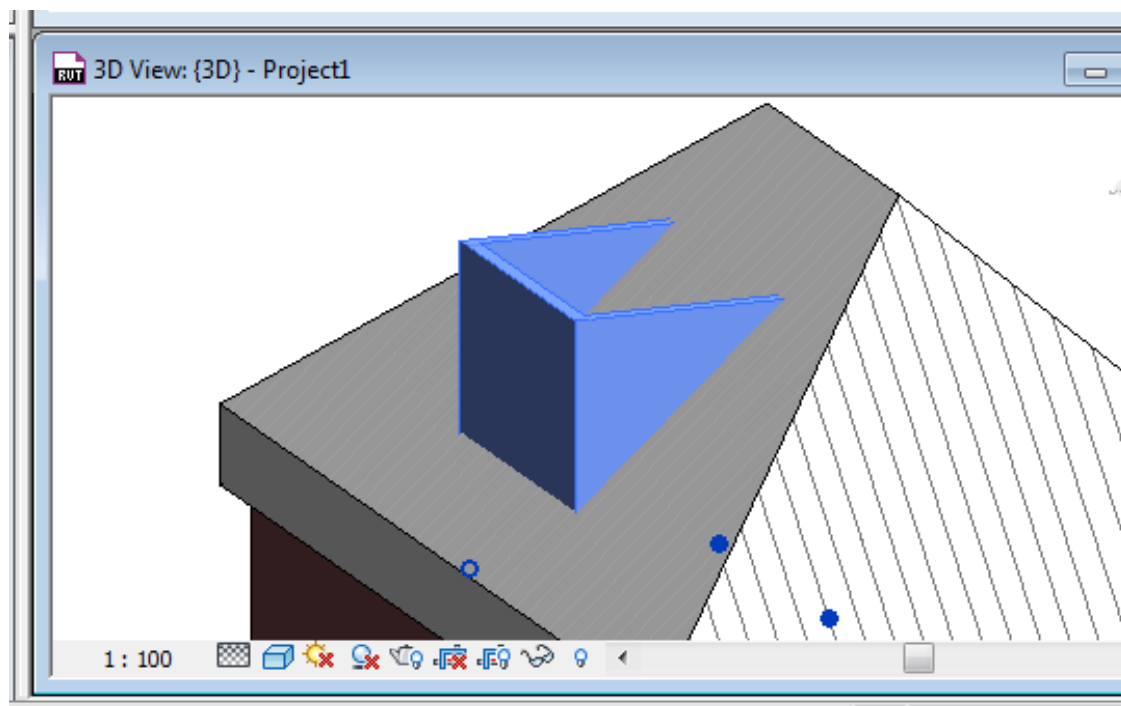
This outlines two methods you can use to edit the base of Dormer side cheeks/walls so that they align with the associated roof faces

Beginners Revit Users

Creating Side Cheeks on a Dormer in Revit Architecture

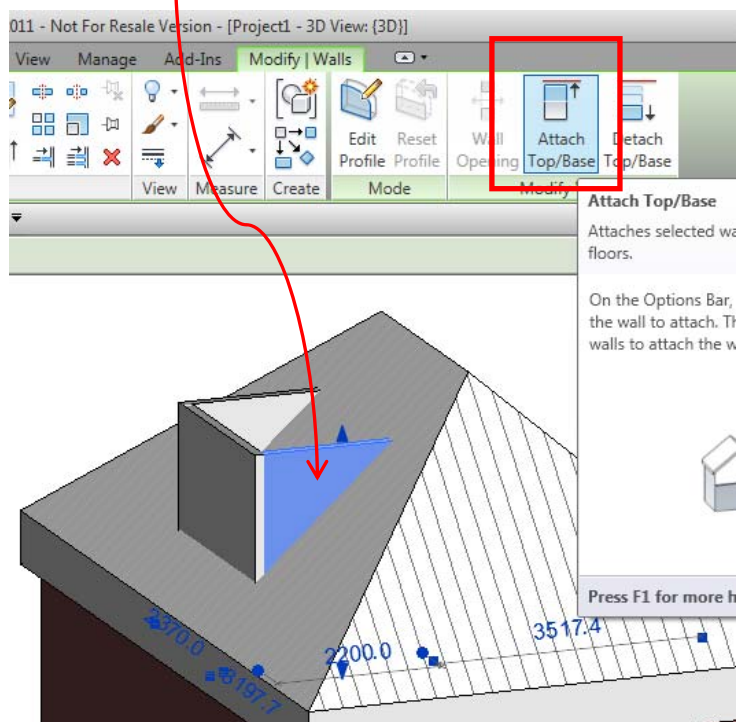
I'm sometimes asked about Dormer side cheeks and how to adjust the bottom of the "walls" that make up the sides...Here I have outlined the basic steps involved...

1. Preparation...Get the walls in position...ignore the fact I haven't shown a dormer roof, cut the roof or used a dormer opening for this example...this is all about the *Side cheeks*...

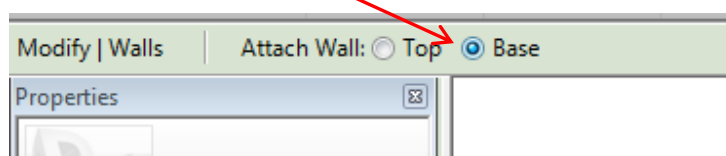


Option A: Attach Top/Base feature...

2. Select the wall/side cheek to modify and then click the **Attach Top/Base** icon in the contextual green area of the ribbon...

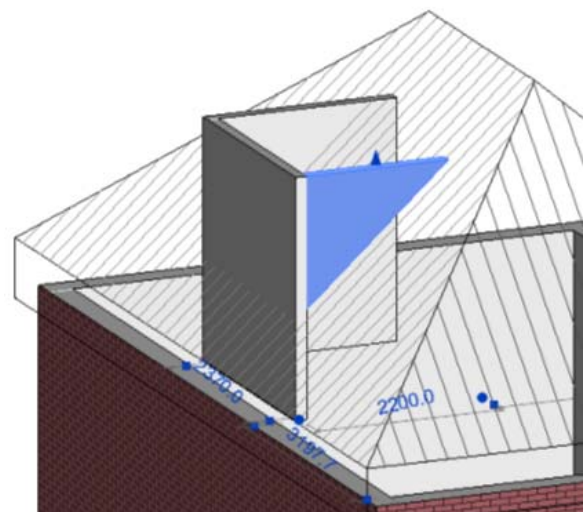


3. You then select the option "**Base**" in the Options Bar...

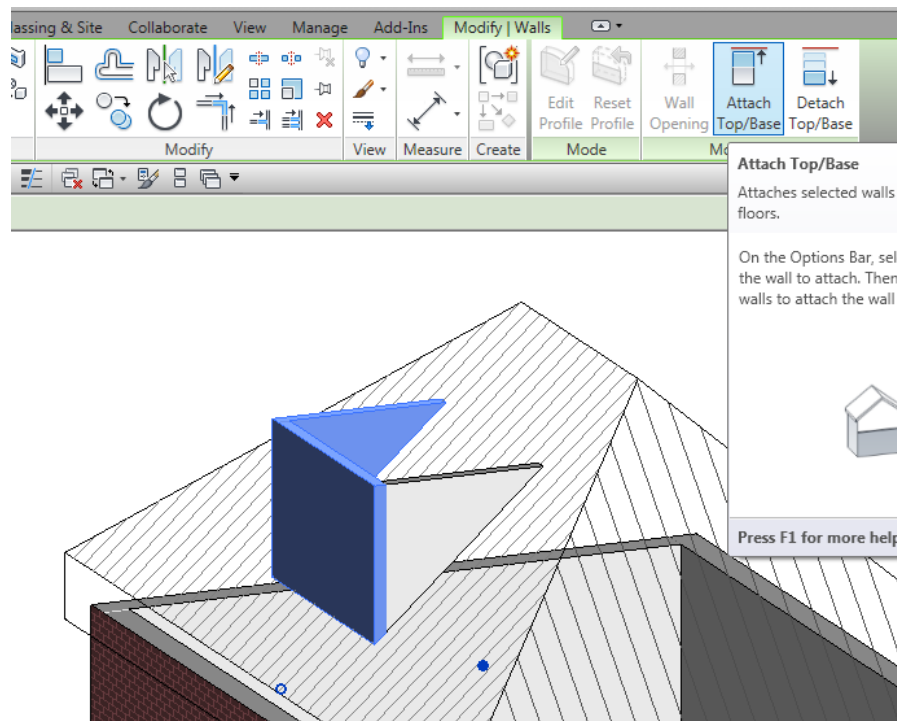


4. Now click on the **Roof** as the object the roof base will **move to and join with**...

In the image here I've made the roof transparent so you can see the effect properly...note the base of the selected wall now connects with the exterior roof slope, whilst the other walls that have yet to be modified still show a horizontal base, linked to the Level they are placed on



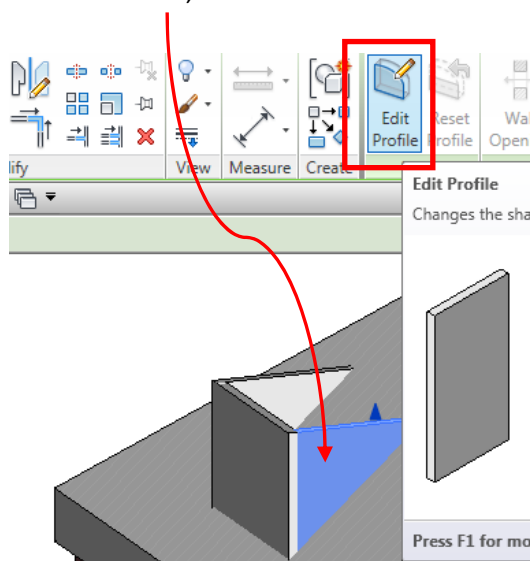
- Repeat this Attach Top/Base process on the remaining side cheek walls...



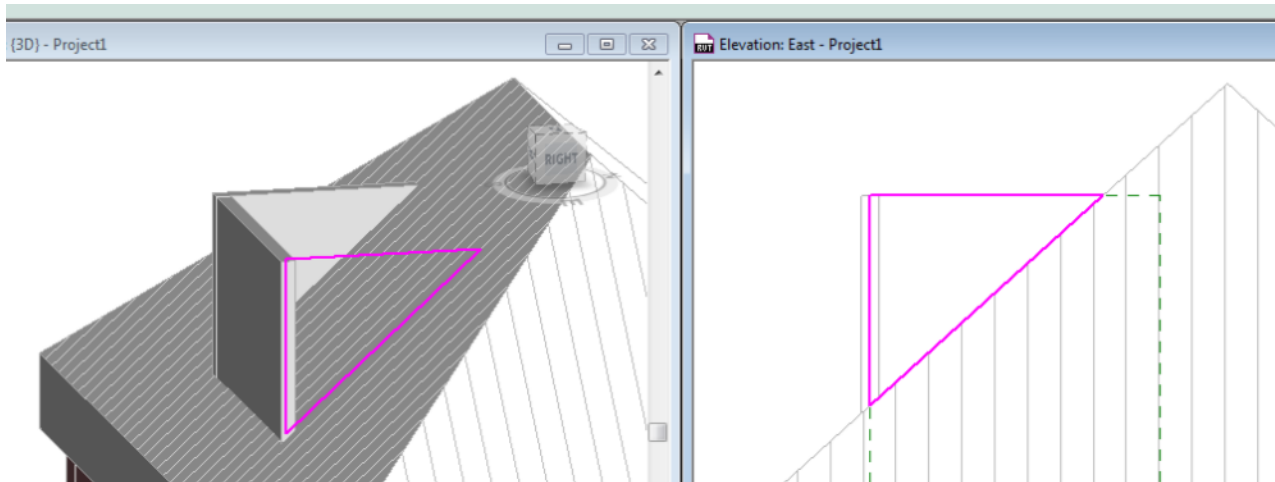
This option/process has the advantage that any subsequent change to the roof slope etc automatically alters the side cheeks etc...

Option B: Alternatively, if you wanted to alter the walls to take into account additional objects other than just the roof, you could use the **Edit Profile option in the ribbon...**

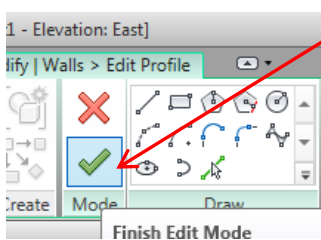
- Select the **wall**, and then click **Edit Profile** in the green contextual ribbon



- Next, sketch/edit the bottom of the wall using lines etc as required...I've opened up the East elevation to make it easier to get the sketch lines in the correct location... alternatively, a section drawn through the roof would also help ensure that the sketch was correctly positioned

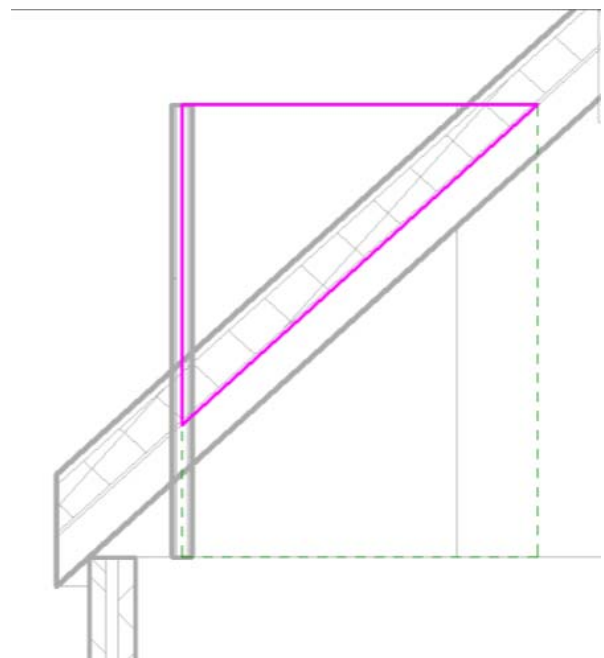


- Don't forget to click the **Finish Edit Sketch** icon...

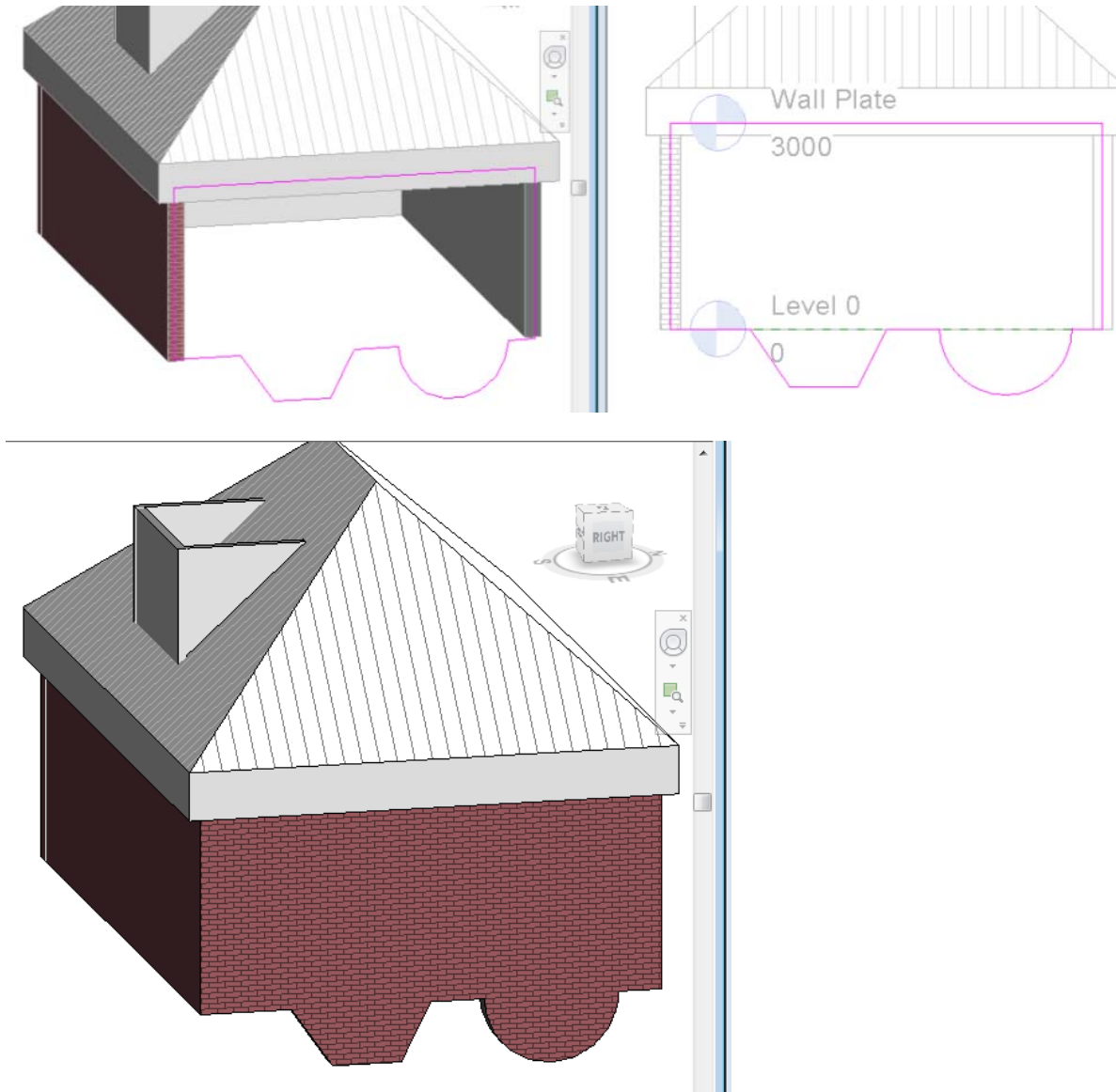


The **Edit Profile** option has the advantage over the attach Top/Base method that you can create the exact shape or edge you desire for the side cheek...

Here I've created a section running through the wall/roof build-up of the side cheek to show how the base/slope could be resting on a double trimmer etc rather than the top/exterior of the roof that the attach Base option automatically locates to.



The **Edit Profile** option is also useful with stepped footings etc...The profile sketch can be any closed shape...



Both of these processes will allow you to edit the top/base/profile outline of the Side cheeks/walls selected...for footings or connection with other objects at the top/bottom of the wall...See how you get on.