

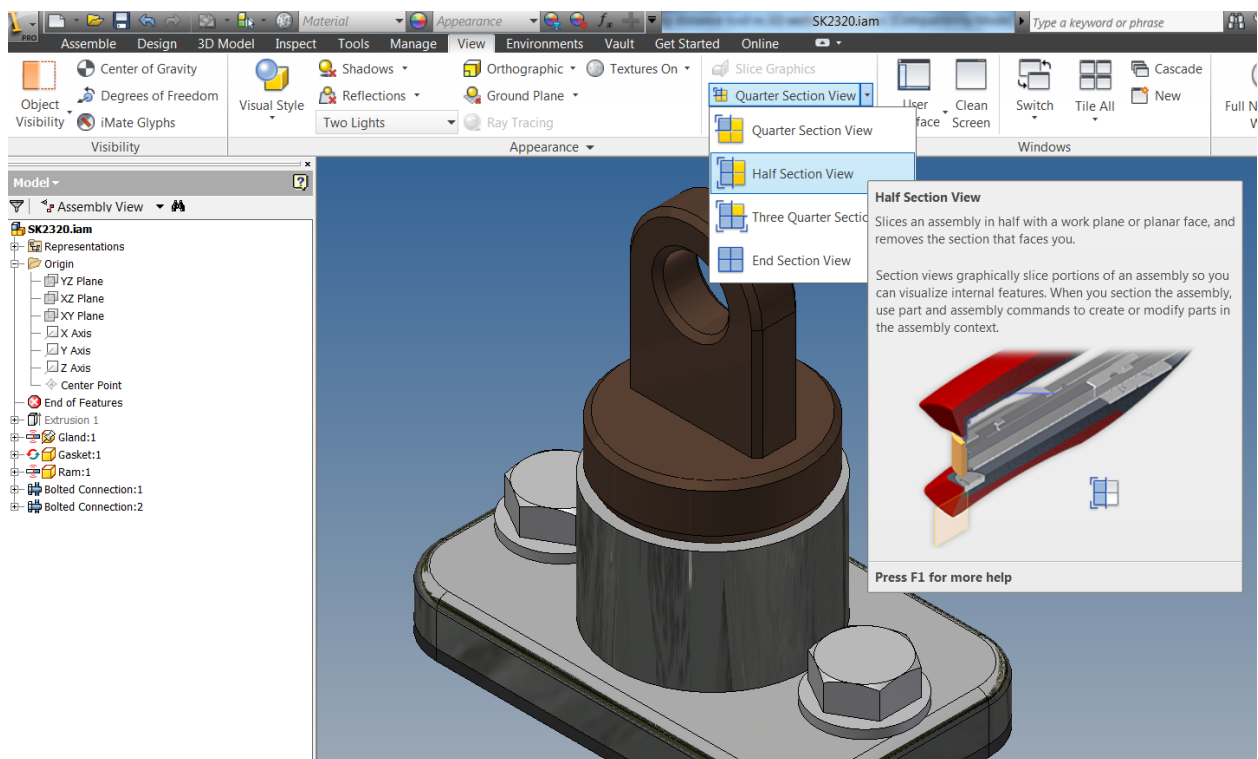
# Inventor 2013

## Using the distance tool when displaying 3D section views

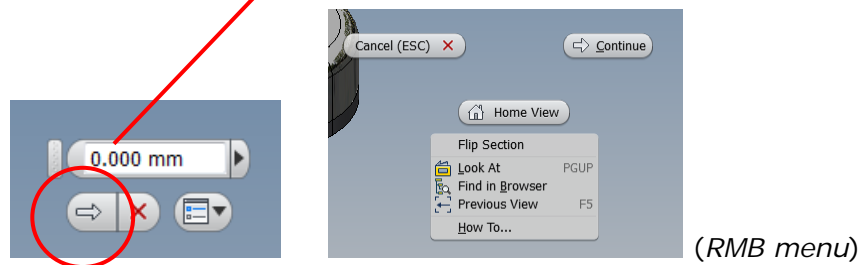
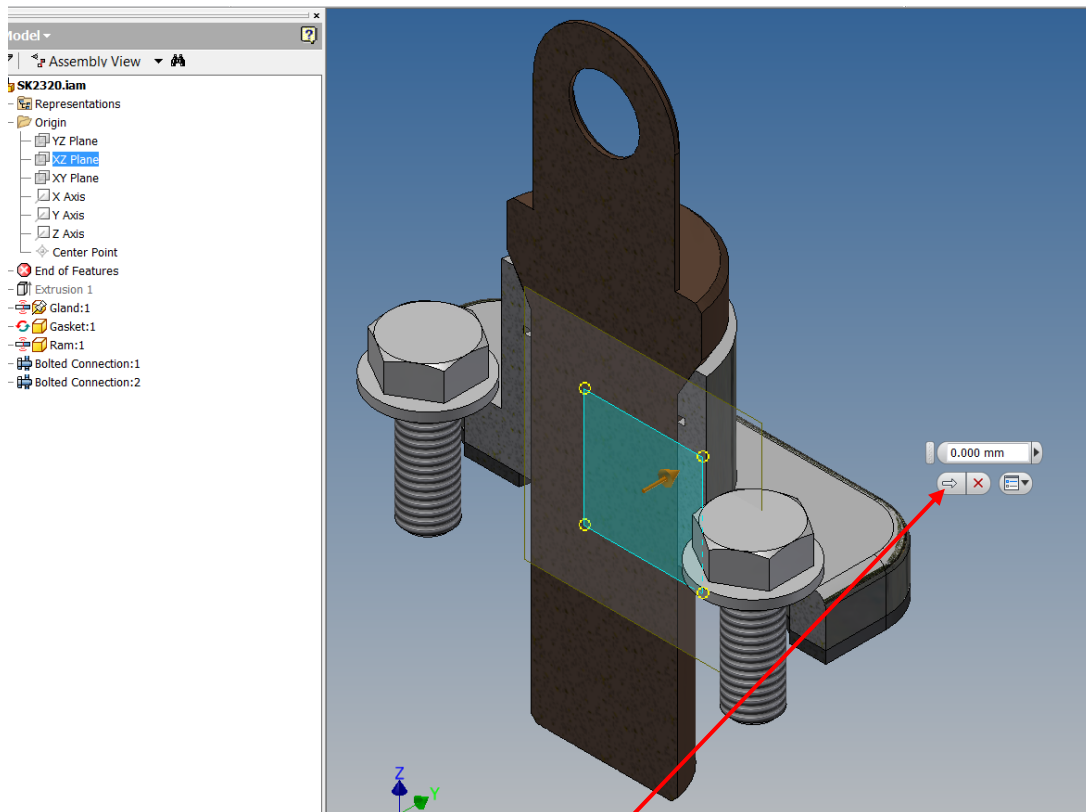
For users who have recently upgraded to Inventor 2013 and cannot get the distance tool to work with 3D section views

For those who may be struggling with a slight functionality change using Inventor 2013 from earlier releases, please use this simple step-by-step guide for using the Distance tool whilst displaying 3D section views.

1. Start the procedure to create the required 3D section view for your model. From the View Ribbon, select the required section type, then select an existing Workplane or Face.

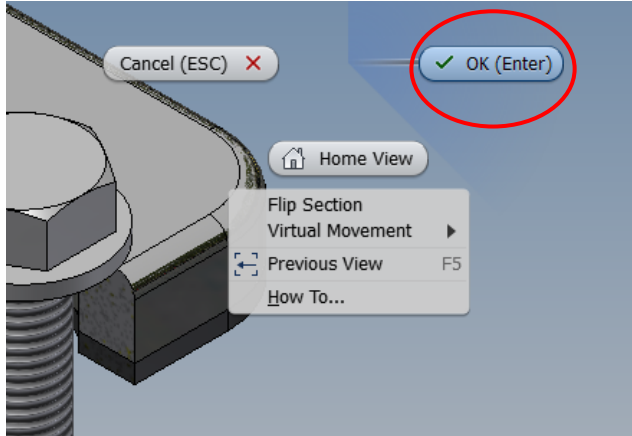


In this example, the default XZ Origin plane is used.



2. Notice the small white arrow available as 'Continue' (also available in a right-mouse-button menu and the ability for the user to select 'Flip Section'), select this to confirm the continue function.

3. At this stage, right-click and select OK from the RMB menu:



4. You will now be able to select and use the Distance tool as desired, sample here shows a face to face measurement:

